



**Fairbanks Morse Pump**  
A Member of Pentair Pump Group

**8" D5434SMV SUBMITTAL CURVE**

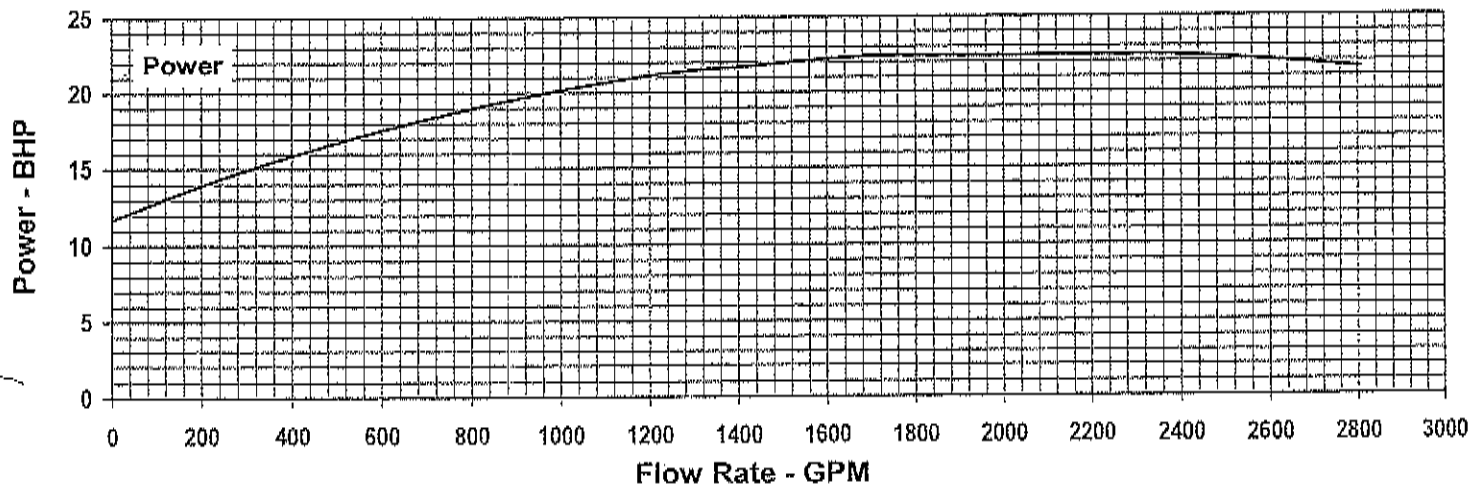
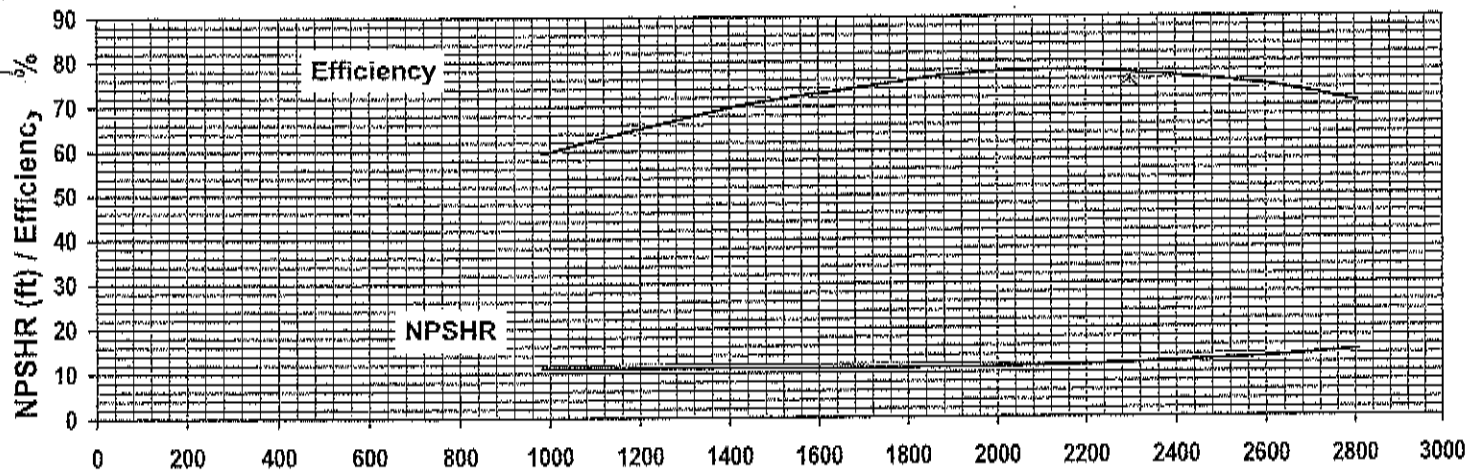
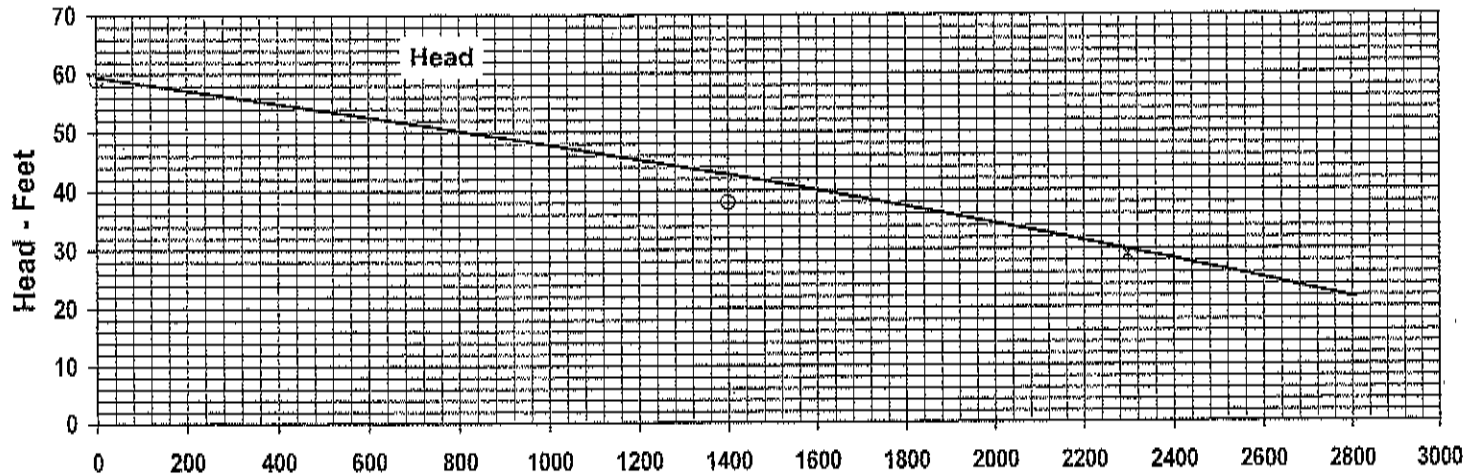
SPEED	IMPELLER	DIAMETER	VANES	GUARANTEED VALUES			
				FLOW	HEAD	EFF.	BHP
1140	T8D1A	11.90	TWO	2300	29	76	---
SPHERE	DRIVER	DATE	BY	---	---	---	---
4.00"	24.1	4/28/03	SJM	---	---	---	---

CURVE NO.: C - 063429

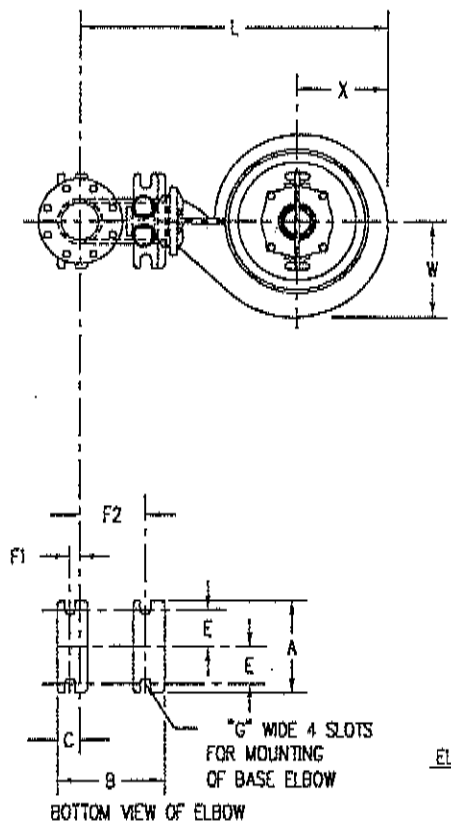
REV.

PROJECT NO.: 063429

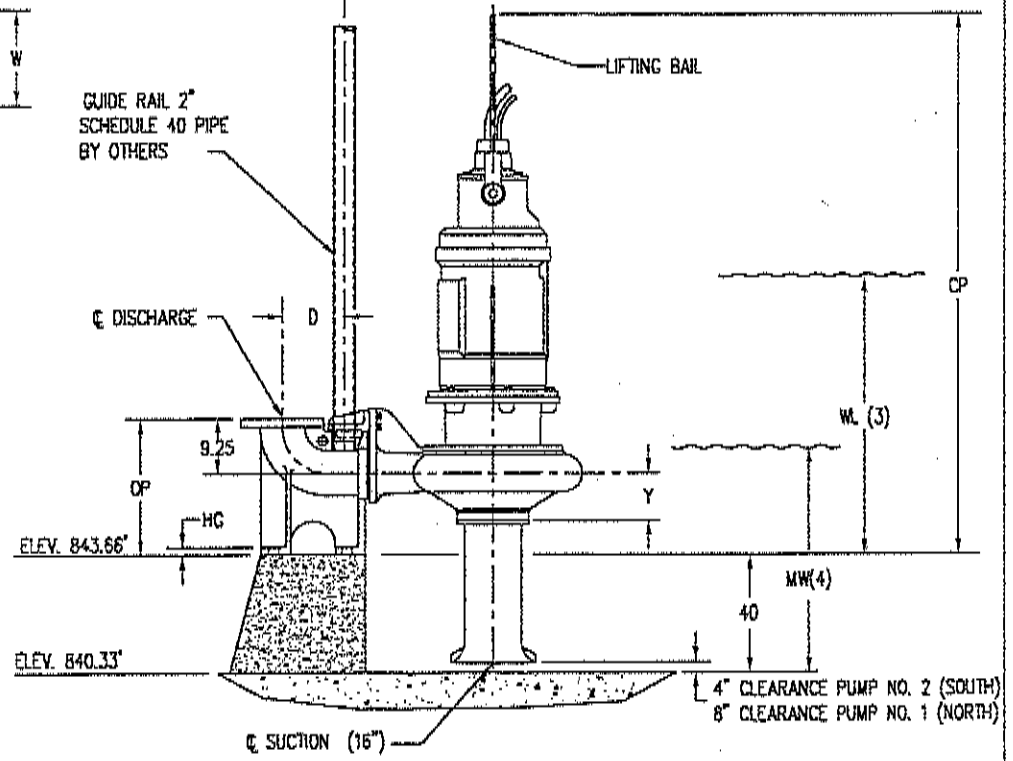
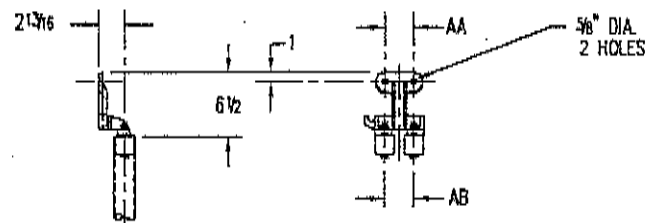
THIS CURVE IS BASED ON THE ACTUAL TEST PERFORMANCE OF A SIMILAR PUMP. ONLY THE INDICATED POINT(S) IS GUARANTEED.



TOP VIEW OF PUMP UNIT



TOP GUIDE BRACKET DETAIL



PUMP	MOTOR FRAME	DISCH.	A	B	C	D	E	F1	F2	G	L	W	X	Y	AA	AB	CP	HC	MW	OP	WL
8" D5434SMV	250T	8 (7)	16	17	4 7/8	9 1/4	7	2 7/8	10 1/8	1 1/4	44 1/4	14 1/8	12 5/8	9 1/8	3	3 3/8	60 7/8	1 1/4	54	19	39

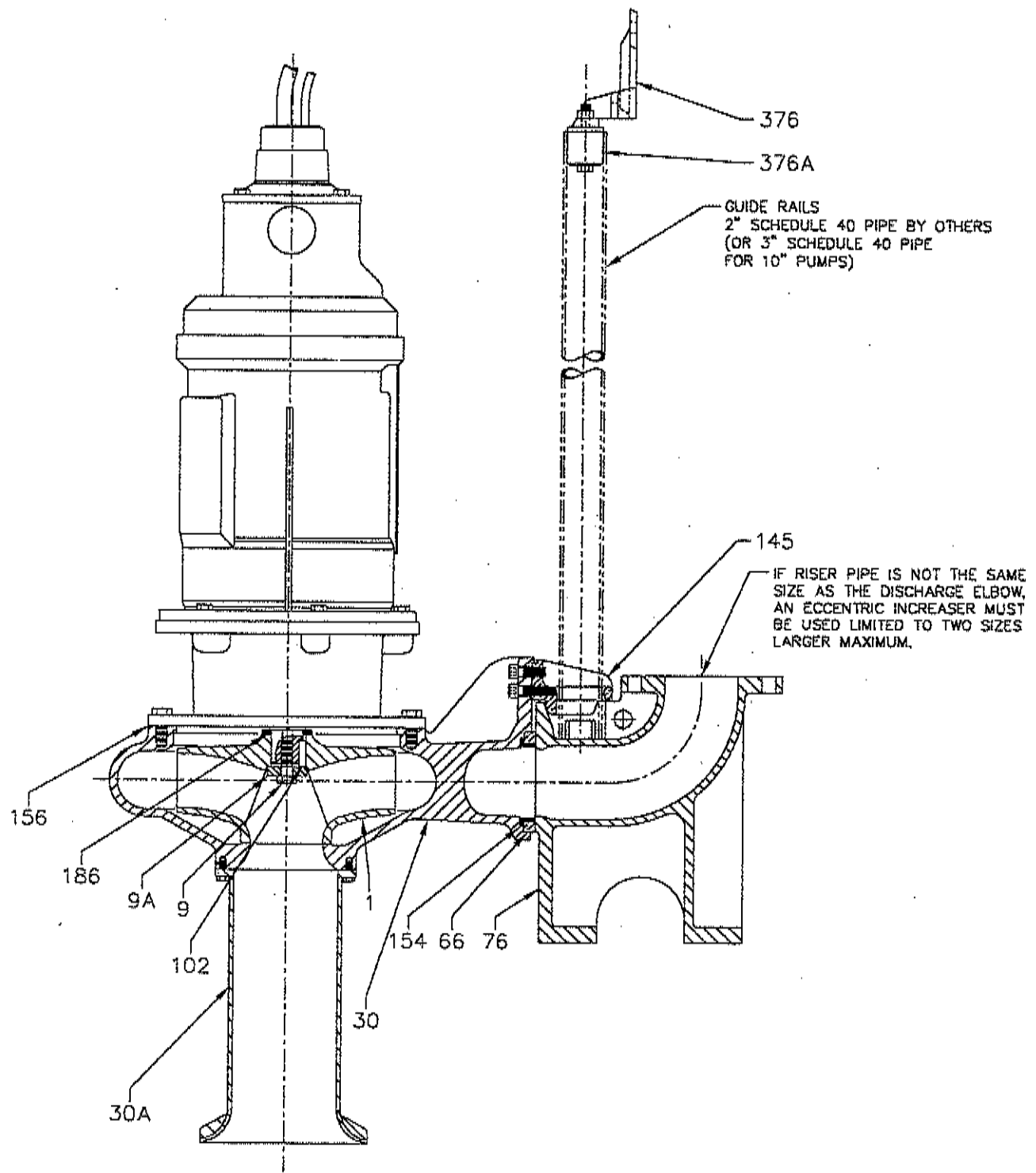
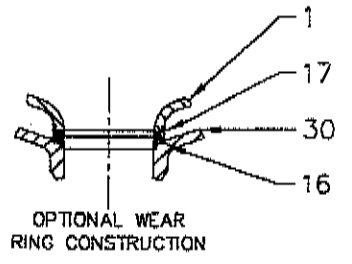
NOTES:

- (1) DISCHARGE FLANGE IS 125# ANSI DRILLING UNLESS NOTED.
- (2) ALL DIMENSIONS ARE IN INCHES UNLESS NOTED.
- (3) RECOMMENDED LOW WATER LEVEL FOR CONTINUOUS OPERATION. 210 FRAME AND WATER JACKETED 250 THRU 440 FRAME UNITS CAN OPERATE CONTINUOUSLY AT "MW" WATER LEVEL.
- (4) WATER LEVEL MAY BE DRAWN DOWN TO THIS LEVEL FOR SHORT TIME DUTY IN AIR MOTOR RATINGS. DRAW DOWN CAN OCCUR OVER A PERIOD OF 15 MINUTES.
- (5) BASES ARE DESIGNED TO HAVE FULL CONTACT WITH GROUT OR A SOLE PLATE GROUTED IN PLACE.
- (6) NOT FOR CONSTRUCTION, INSTALLATION, OR APPLICATION PURPOSES UNLESS CERTIFIED. DIMENSIONS SHOWN MAY VARY DUE TO NORMAL MANUFACTURING TOLERANCES.
- (7) IF RISER PIPE IS NOT SAME SIZE AS THE DISCHARGE ELBOW, AN ECCENTRIC INCREASER MUST BE USED LIMITED TO ONE SIZE LARGER MAXIMUM.

\*\*\* SEE PERFORMANCE CURVE

UL LISTED  
ISO-9001 CERTIFIED  
CSA CERTIFIED (THRU 365 FRAME)

CUSTOMER DAVID E. ROSS CONSTRUCTION		P.O. NO. 2302-14M		 <b>Fairbanks Morse</b> <b>PENTAIR PUMP GROUP</b>			
JOB NAME HARRISONVILLE, MISSOURI		TAG NAME DRY WEATHER PUMP 1 & 2					
PUMP SIZE AND MODEL 8" D5434SMV		GPM ***	TDH ***	RPM ***	ROTATION CW		
FACTOR FM	HP 24.1	FRAME 250T	PHASE 3	HERTZ 60	VOLTS 460	ENCLOSURE SUB	
CERTIFIED FOR FM PROJECT NUMBER 063429		CERTIFIED BY SJM		DATE 5/2/03		DWG NO. SP-063429	REV 1

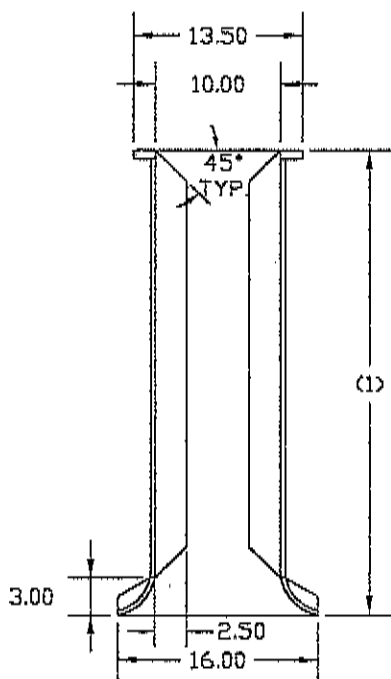
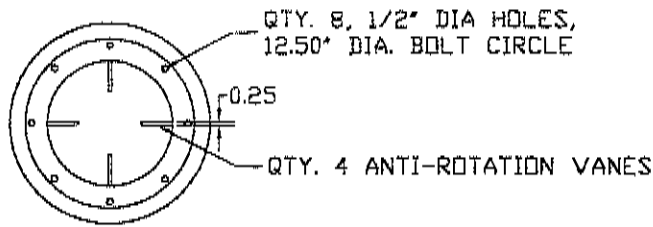


ASSEMBLY, D5430MV, PULL-UP SUBMERSIBLE TRENCH DESIGN - FAIRBANKS MORSE MOTOR

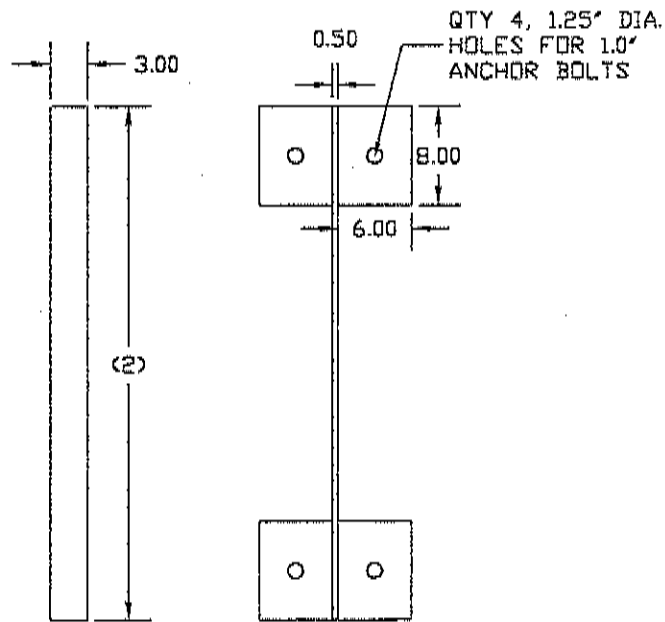
**Fairbanks Morse**  
Pump Corporation

DWG NO	543MA011	REV NO	0
--------	----------	--------	---

DRAWN BY S. MAXL. DATE 5/03 CHECKED BY DATE ENGINEERING APPROVAL DATE MARKETING APPROVAL DATE ECR Pullup



SUCTION SPOOL PIECE



BAFFLE PLATE

- (1) CUSTOMER TO ADVISE LENGTH OF SPOOL PIECE.
- (2) CUSTOMER TO ADVISE LENGTH OF BAFFLE PLATE.

SUCTION SPOOL PIECE AND BAFFLE PLATING  
DETAIL DRAWING

**Fairbanks Morse**  
PENTAIR PUMP GROUP

DWC NO DTL-063429 REV NO 0

Fairbanks Morse Pump  
Material Specifications

<u>Item</u>	<u>Description</u>	<u>Material</u>	<u>Specification</u>
1	Impeller	Cast Iron	A48 Class 30
9	Capscrew, Impeller	Steel	SAE Bolt Steel
9A	Washer, Impeller	Steel	AISI 1215
16	Wear Ring, Casing	Stainless Steel	A743 CA-40, 410-484 BHN
17	Wear Ring, Impeller	Stainless Steel	A743 CA-40, 300-350 BHN
30	Volute	Cast Iron	A48 Class 30
30A	Suction Spool Piece	Stainless Steel	316L
66	Ring, Flange	Brass	B505 AL932
76	Discharge Elbow	Cast Iron	A48 Class 30
102	Key, Impeller	Steel	AISI-1018
145	Bracket, Guide	Brass	B584 AL836
154	Seal, Flange	Rubber	BUNA-N
156	Gasket, Volute	Tag Board	F104
186	Impeller Shim	Stainless Steel	A582-303
376	Upper Guide Bracket	Stainless Steel	A743 GR CF-8M
376A	Bushing, Upper Guide Bolting	Rubber Stainless Steel	Commercial Commercial

Notes:

1. All material specifications are ASTM unless otherwise noted and are or description of chemistry only.